

Usage

- Before using, ensure that regulator is off by rotating knob counterclockwise to the “0” position.
- Do not stand in front of or behind regulator when opening the cylinder valve.
- Slowly turn cylinder valve counterclockwise approximately one full turn.
- A hissing sound indicates a leak in the system. To troubleshoot, turn the cylinder off and turn tube regulator on to relieve any built-up pressure.

To troubleshoot:

- 1) Try tightening the regulator to relieve any built-up pressure.
 - 2) Try tightening the regulator to the cylinder and opening the cylinder again.
 - 3) Shut the system down again and contact a service representative. Never attempt to repair a regulator or cylinder yourself.
- Adjust the flow rate setting by turning the knob clockwise until the prescribed setting shows through the window.
 - If the cylinder pressure falls below 300PSI, exchange the cylinder for a full one.

Three-Year Limited Warranty

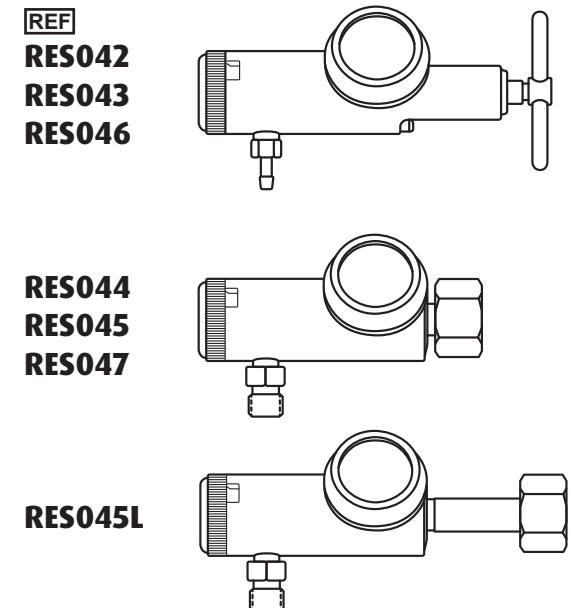
The oxygen regulator is covered by a 3-Year Limited Warranty. The regulator is built to meet the highest quality standards and carefully inspected prior to shipment. The warranty reflects Sunset’s commitment to workmanship and service. The warranty covers any defects for up to 3 years prior to purchase. The warranty does not cover device failure due to owner misuse or negligence, or normal wear and tear. The warranty does not extend to non-durable components, such as rubber accessories, casters, and grips, which are subject to normal wear and need periodic replacement. If you have a question about your regulator or the warranty, please contact an authorized dealer.



Instruction Manual

Oxygen Regulator

CGA 870 connection **CGA 540 connection**



Oxygen Flow Control Regulators

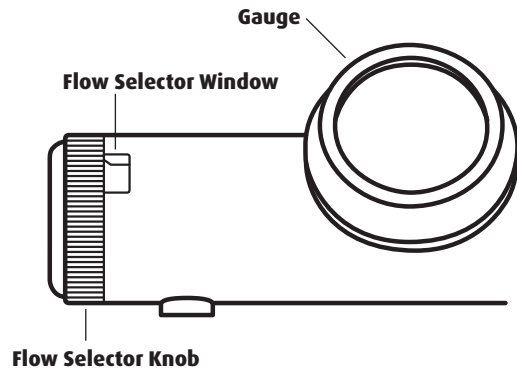
Oxygen Flow Control Regulators are pressure reducing devices that decrease oxygen pressure from a cylinder, to levels that can be safely used by the end user.

The regulators are intended to administer oxygen to patients who need increased levels to improve their breathing conditions.

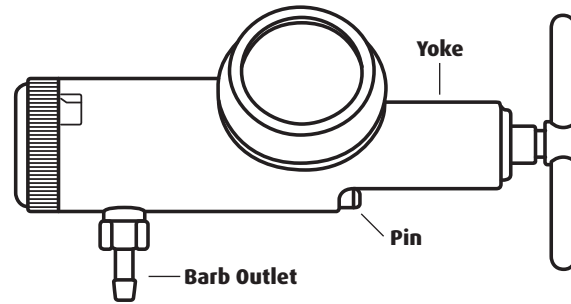
Important Read these instructions carefully before using this device.

Warning

- Oxygen is not flammable by itself, however materials which burn will burn more rapidly and become more combustible in the presence of oxygen.
- DO NOT use tape, oils, greases, petroleum, organic lubricants, paint, or any other hydrocarbon based or combustible materials on or near the regulator.
- DO NOT smoke in an area where oxygen is being administered.
- Keep all units away from children. Do not allow unauthorized or untrained individuals to operate the equipment.

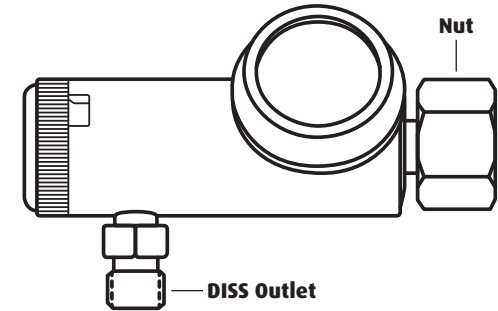


Setup For CGA 870 Connection



- Inspect your oxygen cylinder as instructed by your gas supplier. Ensure the connective components on the regulator are free of debris.
- Inspect the regulator for oil or grease. If these are visible, DO NOT use the regulator.
- Be sure the sealing washer is in place on the inlet to the regulator.
- Slip the yoke over the cylinder post and fit the pins into the holes on the cylinder valve. The pins should fit easily into these holes.
- Turn the t-handle clockwise until the screwpoint is seated in the dimple on the cylinder valve. Be sure the regulator is tightened securely onto the cylinder.
- Attach the oxygen supply tubing to the barb outlet of the regulator.

Setup For CGA 540 Connection



- Inspect your oxygen cylinder as instructed by your gas supplier. Ensure the connective components on the regulator are free of debris.
- Inspect the regulator for oil or grease. If these are visible, DO NOT use the regulator.
- Gently thread the large nut on the regulator onto the connection on the cylinder valve.
- Tighten the nut with a wrench until snug.
- Attach the oxygen supply tubing to the DISS outlet of the regulator.