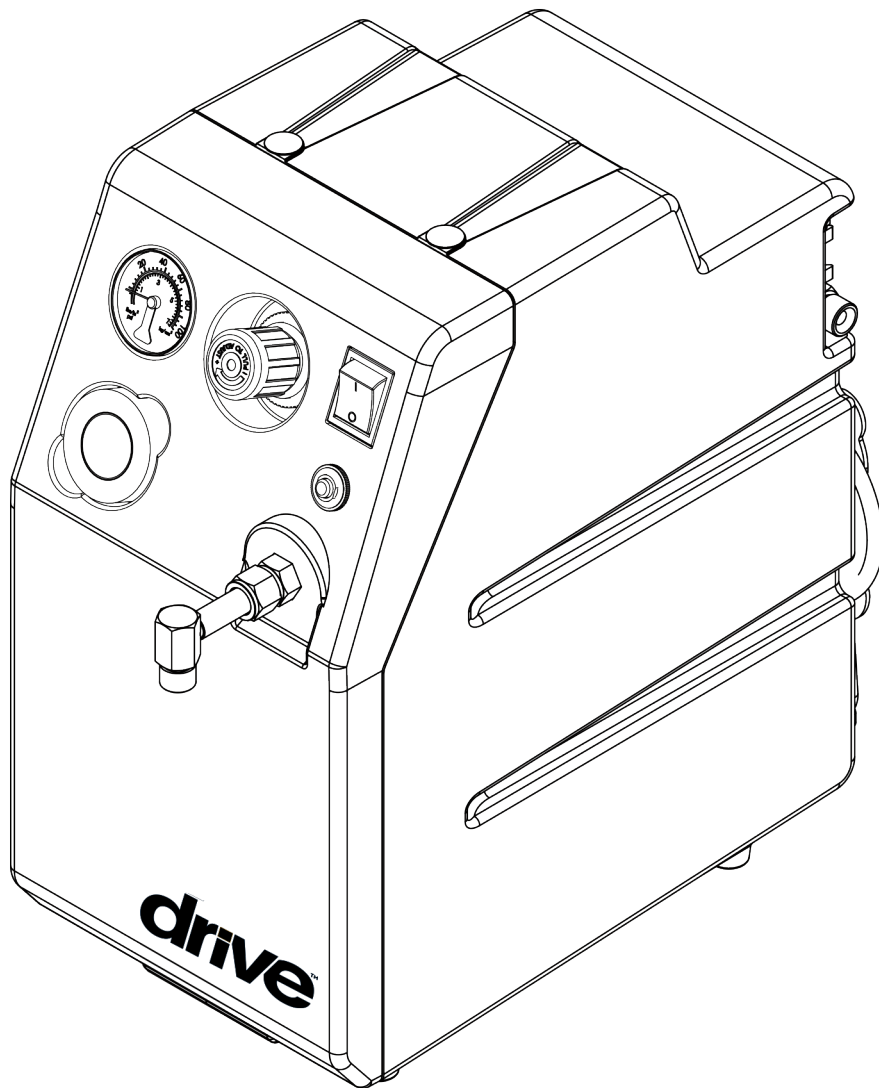




**MODEL 18450**  
**Heavy Duty 50 PSI Compressor**  
**Operator's Manual**



Made in Taiwan

Caution: Federal (USA) Law restricts this device to sale by or on the order of a physician.

# CONTENTS

Page No.	
INSPECTION.....	1
GENERAL INFORMATION.....	1
SAFETY PRECAUTIONS.....	2
BASIC OPERATING COMPONENTS.....	3
OPERATING INSTRUCTIONS.....	4
-Initial Positioning and Installation.....	4
-Operation.....	4
ROUTINE MAINTENANCE.....	5
-Removing and Cleaning the Air Intake Filter.....	5
SPECIFICATIONS.....	6
TROUBLE SHOOTING.....	7
SYMBOLS.....	7
LIMITED WARRANTY.....	8

## INSPECTION

Upon receiving your Drive Medical Model 18450 Compressor, inspect the packaging for signs of damage in transit. Inspect the unit thoroughly. Any sign of damage, external or internal, should be reported to your Homecare Dealer immediately.

## GENERAL INFORMATION

This manual provides information necessary to operate the Drive Medical Model 18450 50 PSI Compressor. This unit is designed for efficient, continuous high pressure performance. The Model 18450 Compressor provides high pressure which clinical studies have indicated are required for optimal particle size (2 microns or less).

The unit operates quietly and effectively due to the unique design of the WOBL piston. This unit operates using standard 120 VAC current, it is easy to clean, very low maintenance, compact, light-weight, and portable. The unit is designed for use with:

- Compatible with hand-held nebulizer system.
- Heated nebulizer.
- Dual action humidifier/nebulizer.
- Pediatric mist tent.
- High output pneumatic nebulizer .
- Deluxe nebulizer with oxygen diluter.
- Child / adult mist tent.
- Large Volume Nebulizer.

# SAFETY PRECAUTIONS

When using electrical products, especially when children are present, basic safety precautions should always be followed. Read all instructions before using. Important information is highlighted by these terms:



## **DANGER**

Urgent safety information for hazards that will cause serious injury or death.



## **WARNING**

Important safety information for hazards that might cause serious injury.



## **CAUTION**

Information for preventing damage to the product.



## **NOTE**

Information to which you should pay special attention.

READ ALL USER'S MANUAL BEFORE USING.

SAVE USER'S MANUAL



## **Note**

Connect power cord and plug to properly grounded wall outlet or adapter.



## **Note**

Unplug the power cord when it is necessary to disconnect AC power source.



## **Note**

The 18450 Compressor is not designed to drive ventilators.



## **Note**

Follow the national requirement to dispose unit.



## **Caution**

Exposure of aerosols into the compressor may result in damage to the unit and void the limited warranty.

# BASIC OPERATING COMPONENTS

## Replacement Items

18450-ADAPTER  
 18450-CAP  
 18450-FILTER  
 18450-RF

OUTLET PORT  
 INTAKE FILTER CAP  
 INTAKE FILTER  
 REAR CABINET FILTER

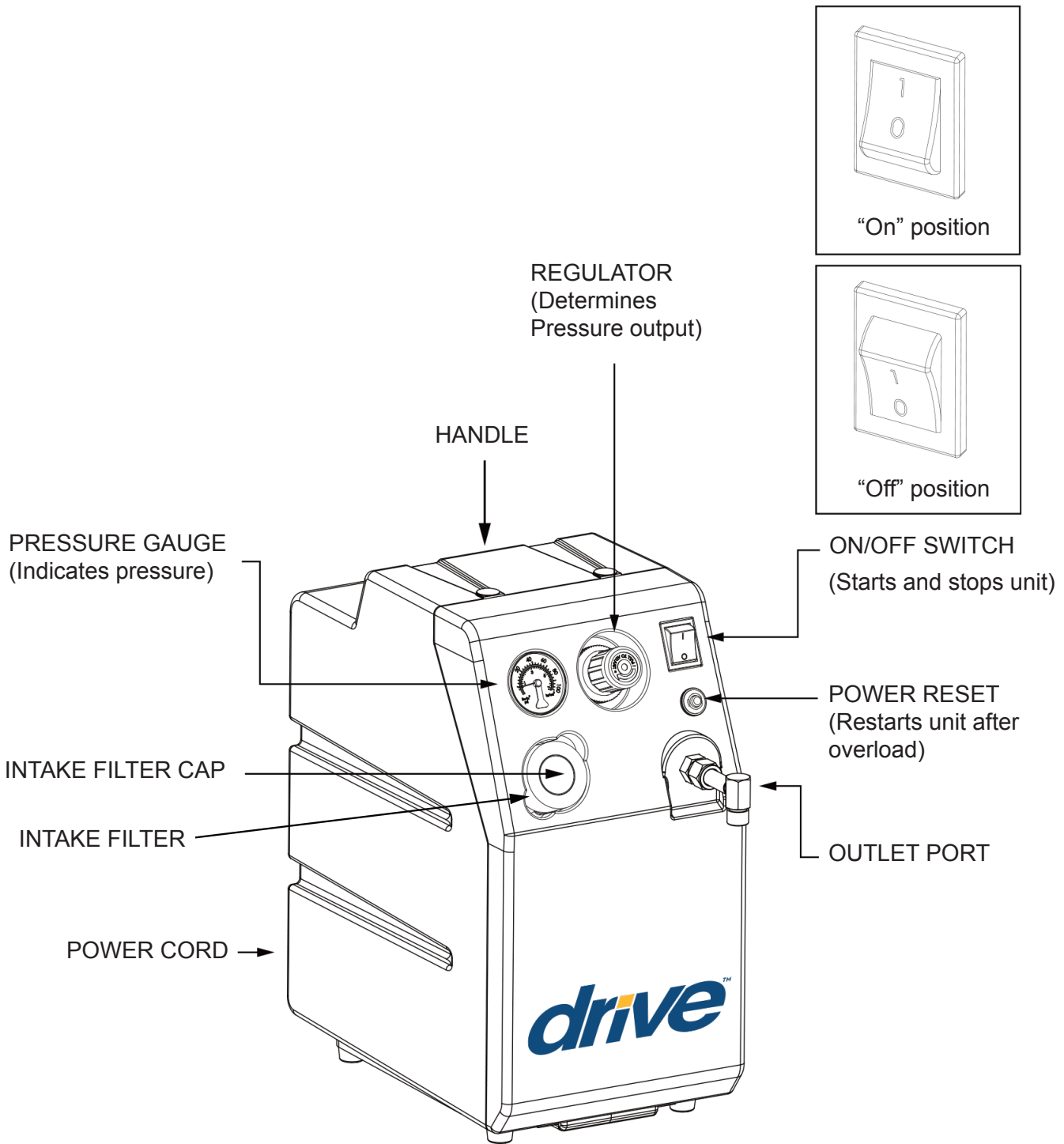


FIGURE 1

# OPERATING INSTRUCTIONS

## INITIAL POSITIONING AND INSTALLATION

1. Select a suitable location for the unit near a 120 VAC, 15 Ampere, grounded power outlet.
2. Grasp handle on top of cabinet and position the unit so that operating controls are Accessible to the user and back of unit is away from wall.
3. Make certain that the power switch located in the center of the control panel is in the OFF position (Figure 1) and plug power cord into grounded power outlet or grounded adapter.
4. Be certain that all connections to outlet ( i.e. tubing , nebulizers , etc.) are snug and not leaking aerosol.
5. When used in conjunction with mist tents, etc., place unit outside of tent and place unit at a level below discharge end of the delivery tubing.

## OPERATION

1. Press Power On/Off switch to ON position (figure 1).
2. Connect the equipment you intend to use with the Drive Medical Model 18450 compressor and then adjust the pressure that the unit is delivering by adjusting the regulator (figure 1) as follows:
  - a. Pull regulator knob out to unlock adjustment.
  - b. Turn dial of regulator to desired pressure.
    - clockwise – increase pressure
    - counter clockwise – decrease pressure
  - c. Push knob towards unit locking regulator pressure.

...Observe the pressure gauge and adjust regulator up or down to desired output pressure.



Make sure the power cord is disconnected

## ROUTINE MAINTENANCE

### A. REPLACING AIR INTAKE FILTER (FIGURE 2)

**NOTE:** Perform this procedure as needed. Replace every 12 months or as needed. Frequency will depend upon the environment the 50 PSI Compressor is used in.

Pull air intake filter out from the front of unit and replace a new one when dirty. Do not wash it.

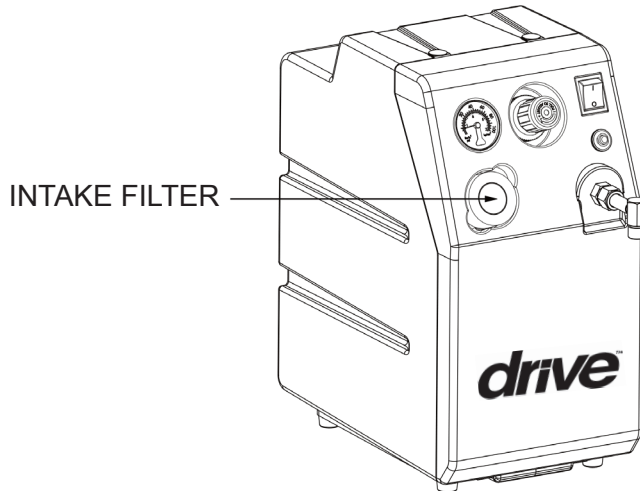


FIGURE 2

### A. REPLACING CABINET FILTER (FIGURE 3)

**NOTE:** Perform this procedure as needed. Replace every 12 months or as needed. Frequency will depend upon environmental conditions.

1. The rear filter may be periodically rinsed with water to remove any debris or dust. Let air dry before replacing.
2. Take out and discard existing cabinet filter at the back of the cabinet as necessary.
3. Insert a new cabinet filter at the back of cabinet.

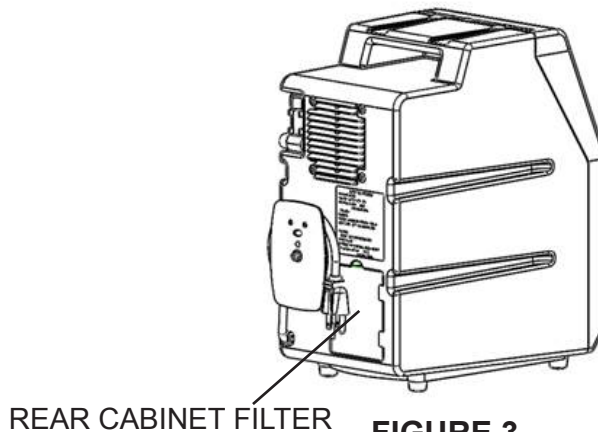


FIGURE 3

### C. COMPRESSOR CLEANING

Wipe the compressor cabinet with a clean cloth and any commercial available disinfectant.

# SPECIFICATIONS

---

Size (L) x (W) x (H)	12.3 x 7.3 x 14.2 in (313 x 186 x 360 mm)
Weight	17.21lbs (7.8kg)
Sound Level	~60 dba

---

Model	18450
Electrical Requirements	115 VAC ~ 60 Hz
Flowrate @ Pressure 0~50	11~41
Power Consumption (W) @ 0 PSI	160

---

Operating Temperature range:	50°~104°F (10°C ~40°C)
Operating Relative Humidity:	95%
Storage & Transport Temperature/Relative Range:	Room condition preferred
Circuit Breaker:	5A 125/250 VAC
Equipment Classifications:	With respect to protection from Electrical shock Class II
Electrical hazard protection class:	Type BF
Degree of protection against the ingress of water:	IPXO- Protection is not provided
No AP/APG:	Equipment not suitable for use in the presence of a flammable anaesthetic mixture with air/oxygen or nitrous oxide.
Mode of Operation:	Continuous

---








# TROUBLE SHOOTING

If the Drive Medical Model 18450 series compressor malfunctions, refer to the trouble shooting chart below for probable cause and remedy. If the unit fails to operate correctly after using the troubleshooting chart below, contact your Homecare Dealer for further assistance.

## TROUBLE SHOOTING CHART

TROUBLE	PROBABLE CAUSE	REMEDY
A. Unit not operating	1. Plug not firmly in wall. 2. No power at wall outlet	1. Check plug at outlet . 2. Check power source, fuse in house
B. Limited air flow	1. Faulty Delivery Tubing.  2. Leak. 3. Blocked intake filter.	1. Disconnect delivery tubing at outlet . If proper flow is restored, check equipment and tubing for obstructions or kinks. Replace if needed. 2. Check fitting at outlet and tubing. 3. Replace air intake filter.
C. All other problems		1. Contact Homecare Dealer.

## SYMBOLS UL 60601-1 Table DI, IEC symbols

Symbol	IEC Publication	Description
	787-02-02	Type BF Equipment
	348	Attention, consult ACCOMPANYING DOCUMENTS
	417-5008	Off (power: disconnection from the mains)
	417-5007	On (power: connection to the mains)
	417-5032	Alternating current
	417-5172	Class II Equipment
	417-5031	Direct Current



# 1 YEAR LIMITED WARRANTY

Your Drive brand product is warranted to be free of defects in materials and workmanship for one (1) year of the original consumer purchaser.

This device was built to exacting standards and carefully inspected prior to shipment. This 1 Year Limited Warranty is an expression of our confidence in the materials and workmanship of our products and our assurance to the consumer of years of dependable service.

This warranty does not cover device failure due to owner misuse or negligence, or normal wear and tear. The warranty does not extend to non-durable components, such as rubber accessories, casters, and grips, which are subject to normal wear and need periodic replacement.

If you have a question about your Drive device or this warranty, please contact an authorized Drive dealer.



Drive Medical Design & Manufacturing  
99 Seaview Boulevard  
Port Washington, NY 11050  
Phone: 516.998.4600 Fax: 516.998.4601  
[www.drivemedical.com](http://www.drivemedical.com)